

#### MATERIAL

<b>Saddle</b>	Fiberglass P.A. U.V. Resistant Halogen Free TPE
<b>Colour</b>	Black

#### SAT H – Double saddles with embedded thermoplastic elastomeric cushion

The SAT H double saddles are supplied with OX cable clamps and are recommended for FO cables.

The saddles are realized combining an outer plastic body with an inner thermoplastic elastomeric cushion, which protects the outer jacket of the cables.

The innovative design of the thermoplastic elastomeric cushions allows a secure fixing of cables with a wide range of diameters.

#### SAT H - Selle doppie con guarnizione interna in elastomero termoplastico

Le selle doppie SAT H sono fornite con i fissacavi OX e sono consigliate per cavi FO.

Le selle sono realizzate combinando un corpo esterno in plastica ed una guarnizione interna in elastomero termoplastico, che protegge la guaina esterna dei cavi.

Il design innovativo della guarnizione in elastomero termoplastico consente il fissaggio sicuro di cavi con un'ampia gamma di diametri.

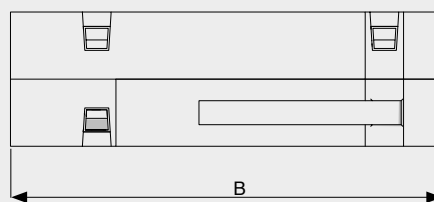
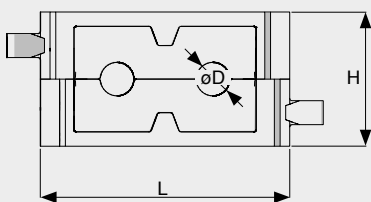
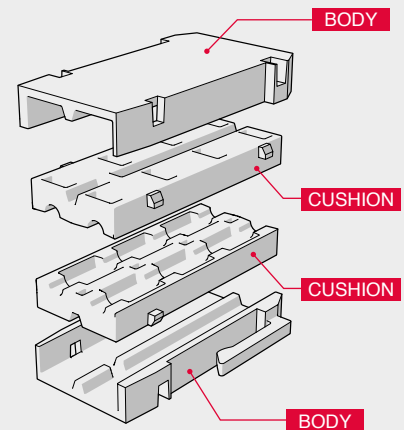
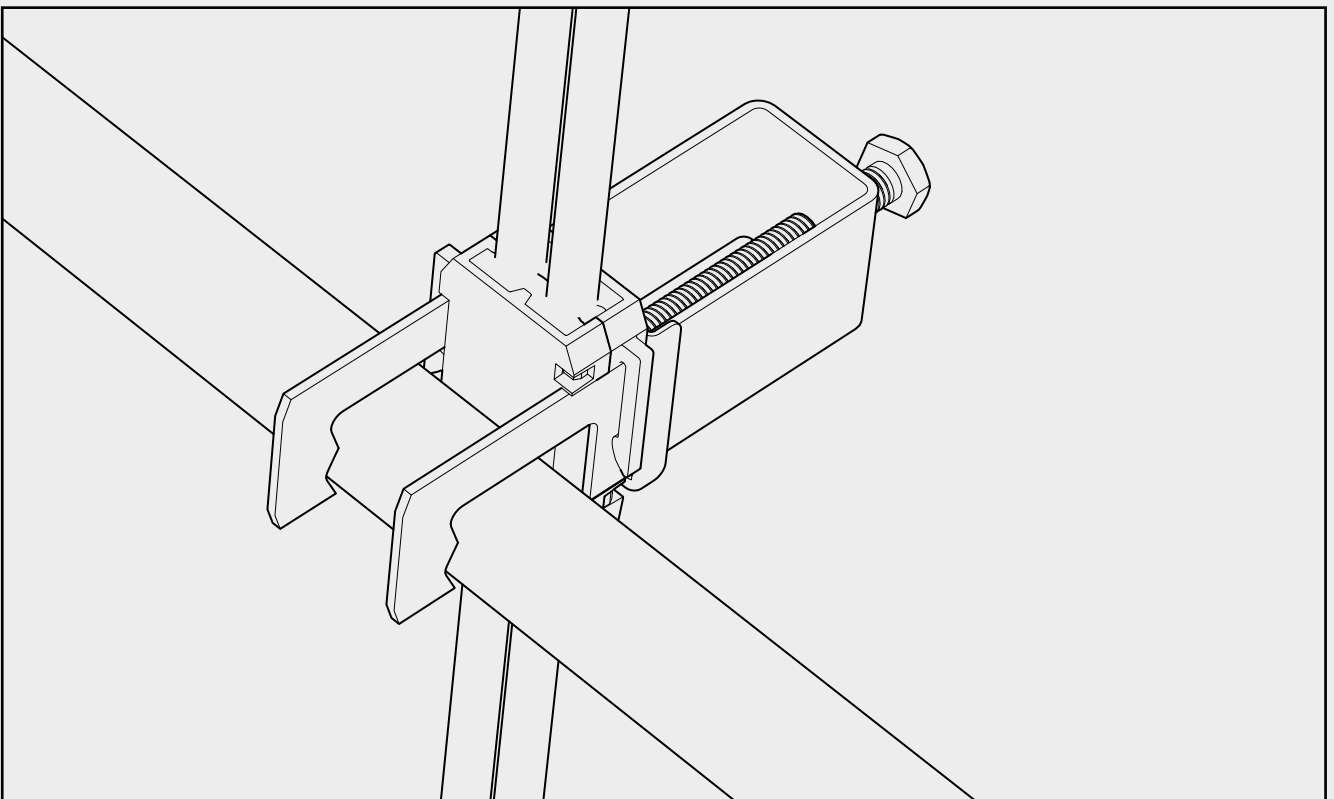
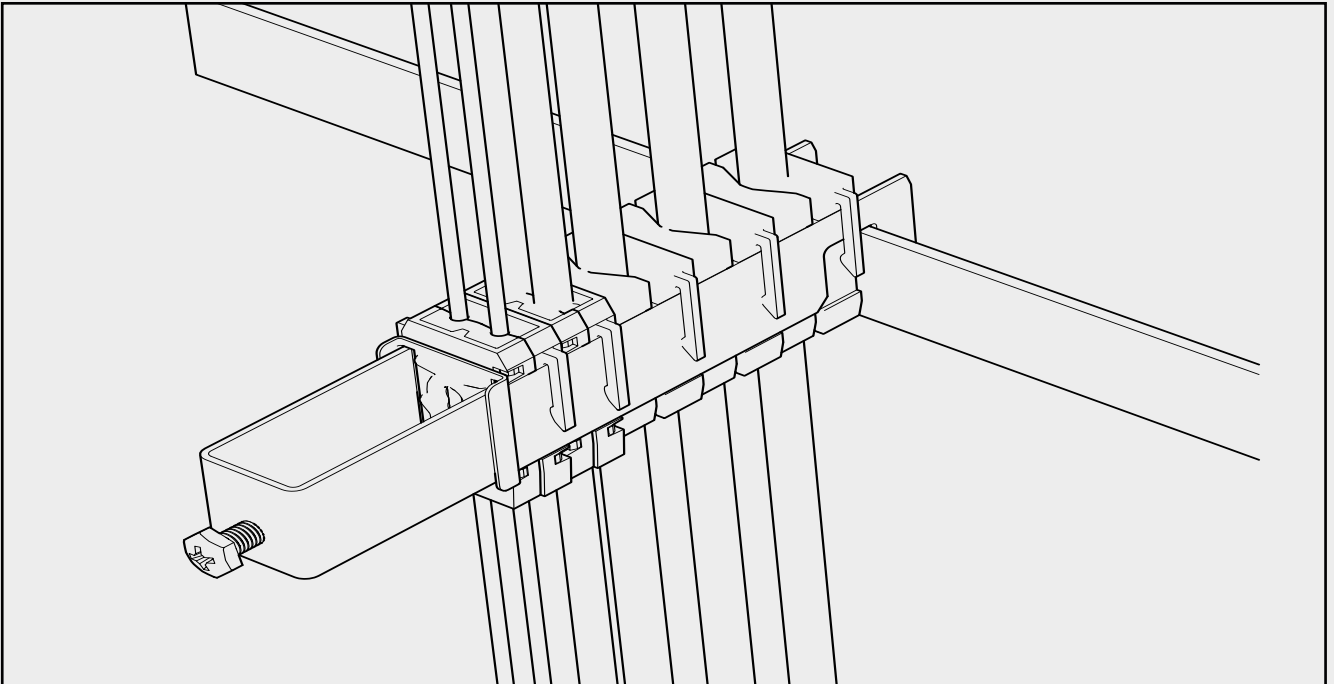
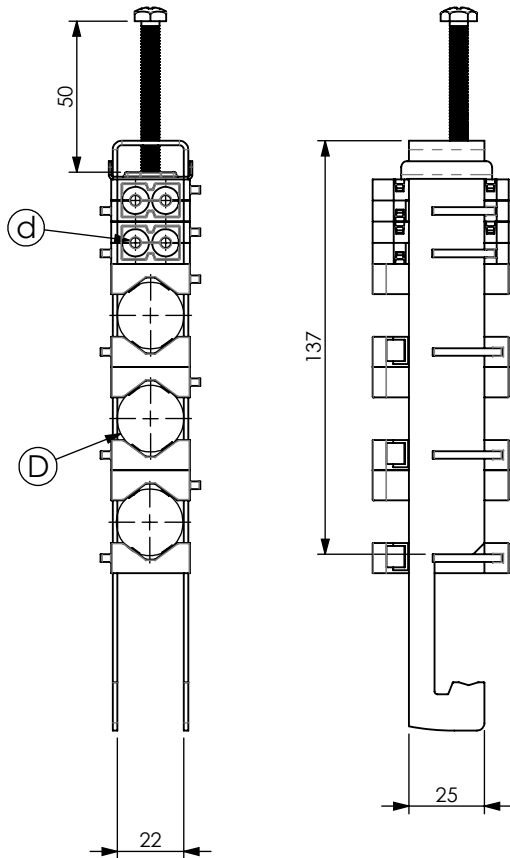


FIGURE	CODE	ARTICLE	$\varnothing D$	H	L	B	BAG	BOX	WEIGHT (gr)
	61 3307 3247	SAT H 2x7	4 - 7	14	22	45	20	500	6
	61 3307 3279	SAT H 2x9	7 - 9	14	22	45	20	500	5
	61 3307 3347	SAT H 3x7	4 - 7	14	34	45	20	500	9
	61 3307 3379	SAT H 3x9	4 - 7	14	34	45	20	500	8



# PRODUCT DATA SHEET



## A) SPECIFICATIONS

- 1 Stainless steel bow type "A4"
- 2 FIMO Self-locking pressure screw M6
- 3 Stainless steel sliding pressure plate
- 4 SAT H P.A. U.V. resistant twin saddles + Black FORPRENE cushions (TPV)
- 5 SEP black P.A.fiberglass U.V. resistant "V" profile saddles

## B) RESISTANCE TESTS

UV Test BS-ISO 105-B06  
 Vibration test conforming to UNI 60068-2-6  
 Operating temperature: -30°C+120°C

## C) PERFORMANCE TESTS

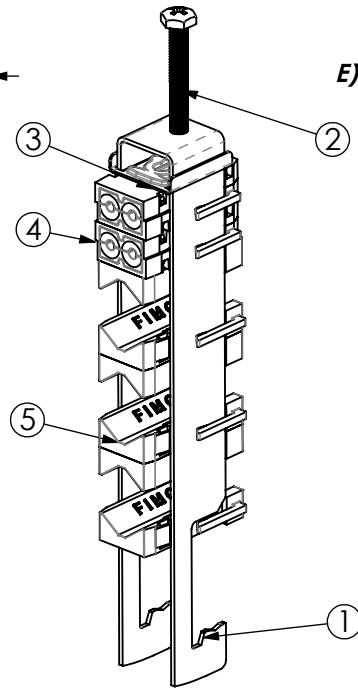
Axial load  
 - Minimum axial load guaranteed: 5 times cable weight  
 Tightening torque  
 - screw tightening torque: 1-1.5Nm

## D) PACKAGING INFORMATION

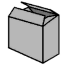

Packing in boxes.  
 Label indicating:  
 Nokia logo  
 Product description  
 Nokia code  
 Production batch  
 Q.ty  
 Production date  
 Origin

## E) MOUNTING INSTRUCTIONS



IST 026



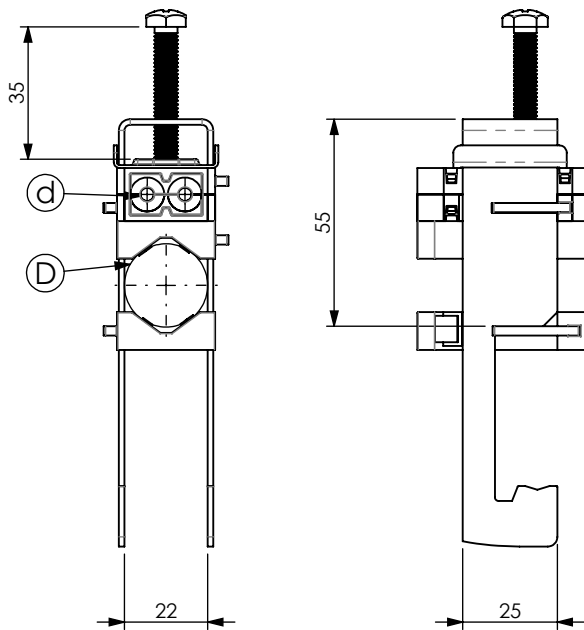
code	<b>6015110197</b>
article	OX A4/3x22+SAT H 2x7/2

D	d	d1		
12-22	4-7	-	20	0.178Kg.

RI	DATE	DR	DATE	AP	Description and use:  Stainless steel cable clamp type "A4" complete with saddles for: 3 power cables D= 12-22mm 4 fiber optic cables d=4-7mm  hooking on angular 40x40mm
02					
01					
00	05/11/20	G.S.	05/11/20	A.V.	
1 <sup>ST</sup> EMISSION					

# PRODUCT DATA SHEET



## A) SPECIFICATIONS

- 1 Stainless steel bow  
Hooking on 40x40mm angular.
- 2 Stainless steel self-locking screw M6
- 3 Stainless steel sliding pressure plate.
- 4 SEP black P.A.fiberglass saddles
- 5 SAT H black P.A.fiberglass-TPV saddles

## B) RESISTANCE TESTS

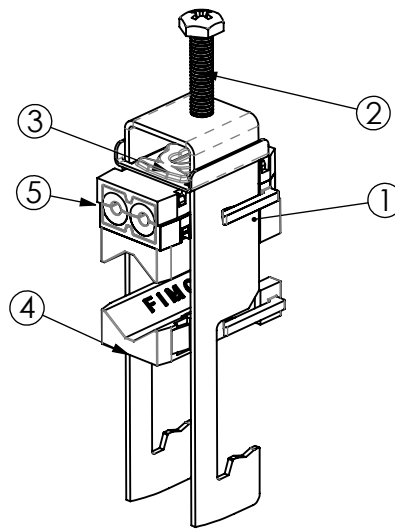
UV Test BS-ISO 105-B06  
Vibration test conforming to UNI 60068-2-6  
Operating temperature: -30°C +120°C

## C) PACKAGING INFORMATION

Packing in boxes.  
Label indicating:  
product code, article, quantity,  
production batch,  
FIMO logo and figure.  
( Customer code on request ).

## D) MOUNTING INSTRUCTIONS

on request



code	<b>6015110196</b>
article	OX A4/1x22+SAT H 2x7

D	d	d1		
13-23	4-7 <sup>+0.5</sup>	-	50	0.1Kg.

RI	DATE	DR	DATE	AP	Description and use:  Stainless steel cable clamp type "A4" complete with saddles for:  1 power cable D= 13-23mm 2 fiber optic cables d=4-7mm  hooking on angular 40x40mm
02					
01					
00	19/04/21	G.S.	19/04/21	A.V.	
1 <sup>ST</sup> EMISSION					